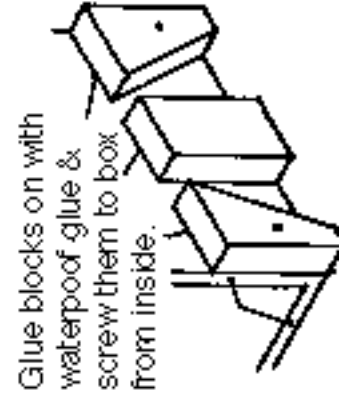
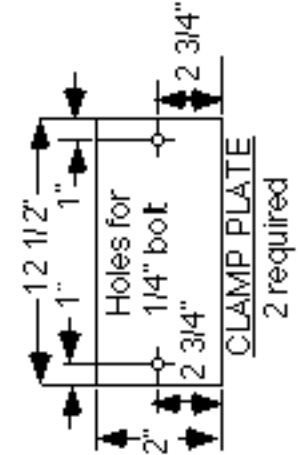
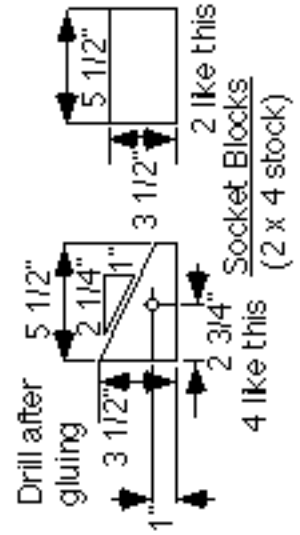


ASSEMBLY

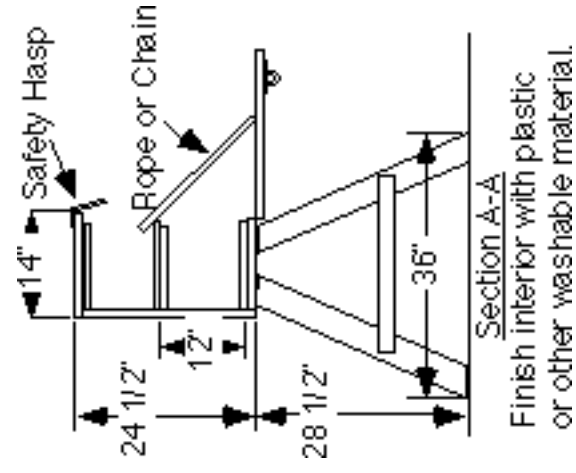
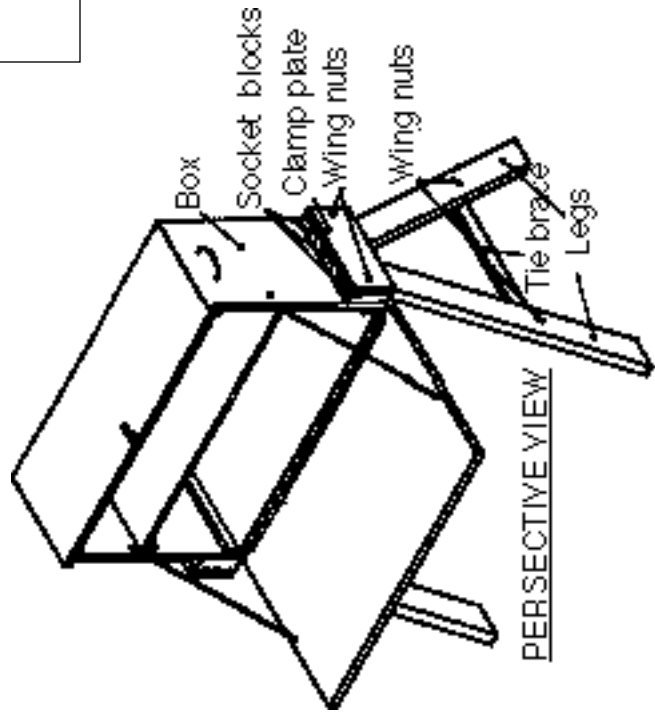
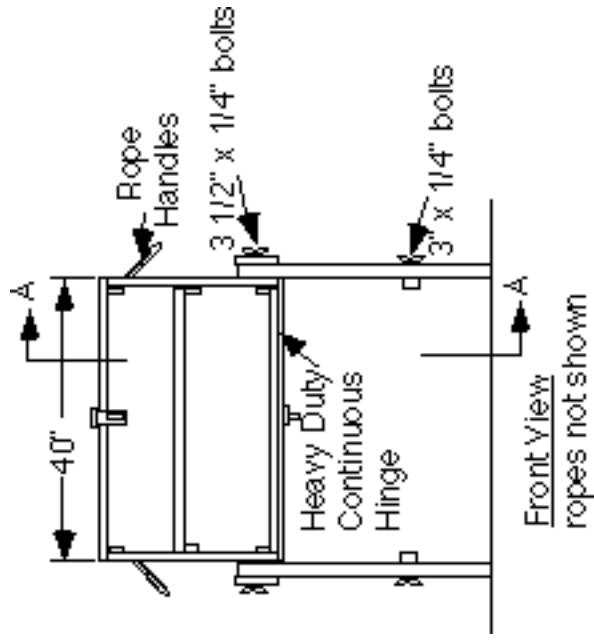
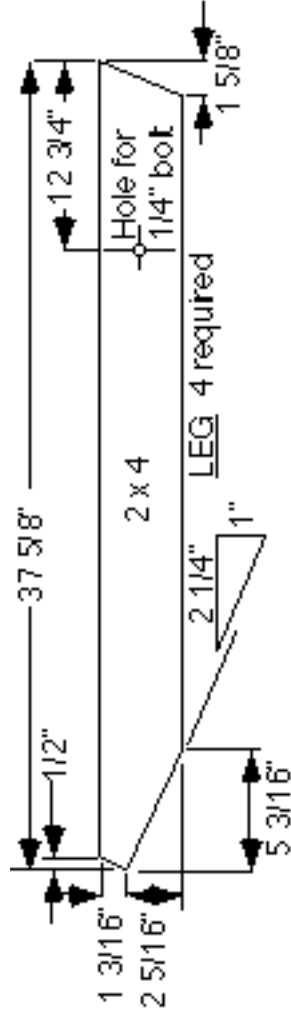
1. Attach tie braces to legs, leave wing nuts loose.
 2. Loosen wing nuts on clamp plates.
 3. Insert legs in sockets & tighten wing nuts.
 4. Tighten tie brace nuts.
- Store legs and braces inside box.



Patrol Kitchen Box Plans

These plans are based upon the Patrol Food Chest designed by the BSA Engineering Service and recommended in the Jamboree Leader Guide. Dimensions have been altered to reflect the size of 2x4s at this point in time (1.5" x 3.5").

Note: the materials list shows how to cut all of the pieces out of one 4' x 8' sheet of 3/4" plywood and two 8' long 2" x 4" studs. The plywood should be exterior grade. If treated "outdoor wood" studs are used, read precautions regarding toxicity of wood and saw dust.



Materials List and Cutting Guide

- 1 sheet 3/4" Plywood (4' x 8')
- (* save scrap for nailing strips)
- 2 - 8' - 2" x 4"
- 1 - Heavy Duty Piano Hinge
- 1 - Hasp Set
- 4 - 3 1/2" x 1/4" bolts
- 4 - 3" x 1/4" bolts
- 8 - 1/4" wing nuts & washers
- Plastic veneer for interior
- Rope for Handles
- Rope or chain for drop front

Venturing Crew 369
<http://369.columbus.oh.us>
 Simon Kenton Council
 Columbus, OH USA
 Special thanks to:
 Stephen M. Henning